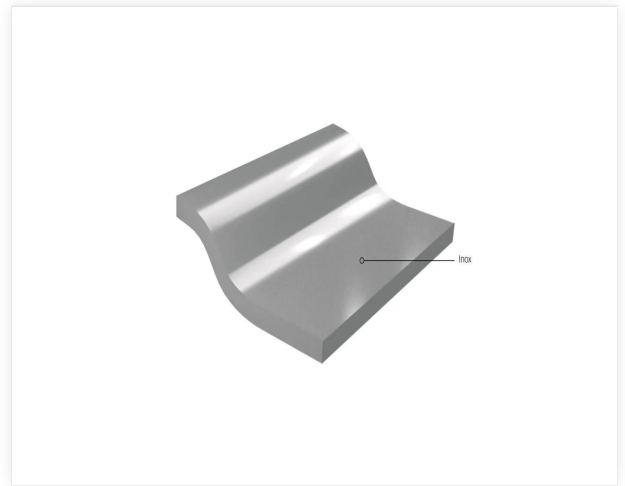


# Stainless steel

**Stainless steel** is one of the most durable and recyclable material. It offers a wide range of surface and color aspects, and thus contributes to enhance the aesthetics of many achievements. Whether matte, glossy, polished, etched, microblasted, woven, colored, ... stainless steel has now gained a prominent place in construction.

Contact us →



## Properties

---

Request informations →

## Documents

---

Request informations →